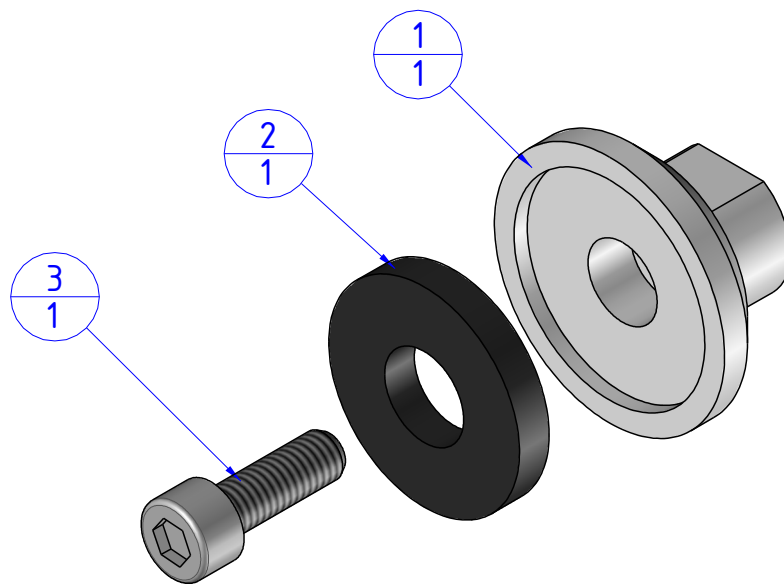
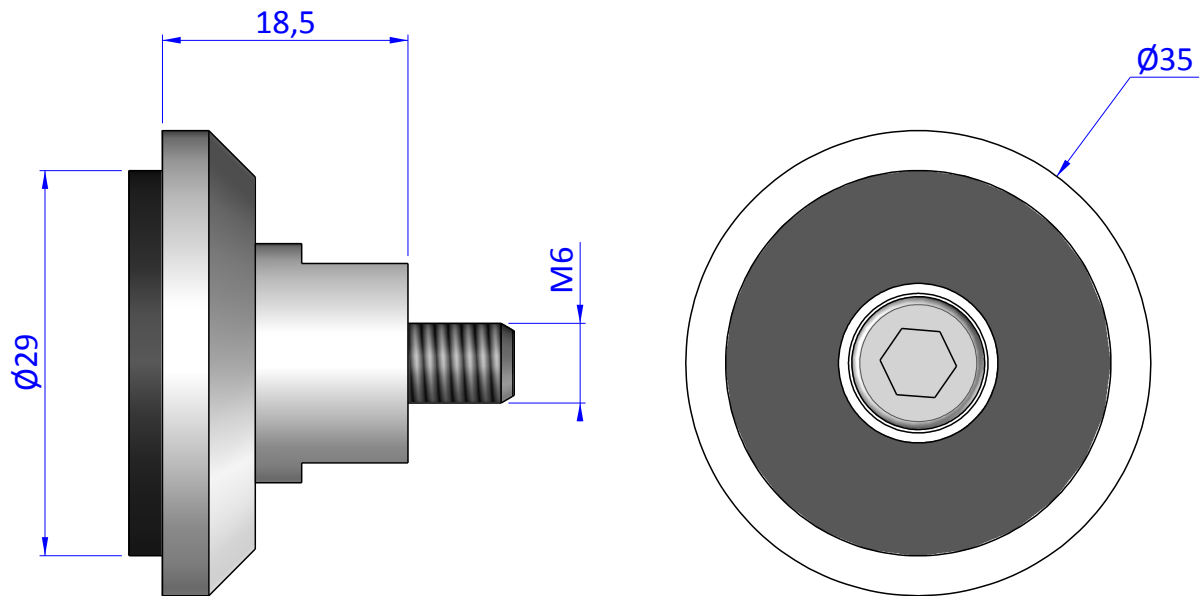

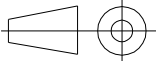


Item	Name	Q.ty
1	11.04.004.1	1
2	11.04.004.2	1
3	V.TCE6x18	1



THE PROPERTY OF THE DRAWING IS ESTABLISHED BY LAW. IT IS FORBIDDEN TO PRODUCE OR SHOW IT TO THIRD PART. WITHOUT A WRITTEN AGREEMENT.

Format A4 UNI 936-76	 FPSERVICES AUTOMATION			DESIGNED FROM FPS Automation	REVIEW A
	GENERAL TOLERANCE UNI - ISO 2768 CLASSE f	DESCRIPTION CA.11.04.004		DATE 21/05/2019	WEIGHT 0,017kg
				CODE CA.11.04.004	